

# Universal through drive for axial piston variable pump A10VSO, A10VO, A4VSO, A4VBO, A15VSO/A15VLO and A11V(L)O

**RE 95581**

Edition: 03.2018

Replaces: 04.2015



- ▶ For A10VSO series 32 size 45 to 180
- ▶ For A10VO series 32 size 45 to 180
- ▶ For A4VSO, A4VBO series 3x size 125 to 355
- ▶ For A15VSO/A15VLO series 1x size 110 to 280
- ▶ For A11VO/A11VLO series 4x size 110 to 280

## Features

- ▶ Flexibel unioversal through drive
- ▶ The through drive are exchangeable without machining the port plate

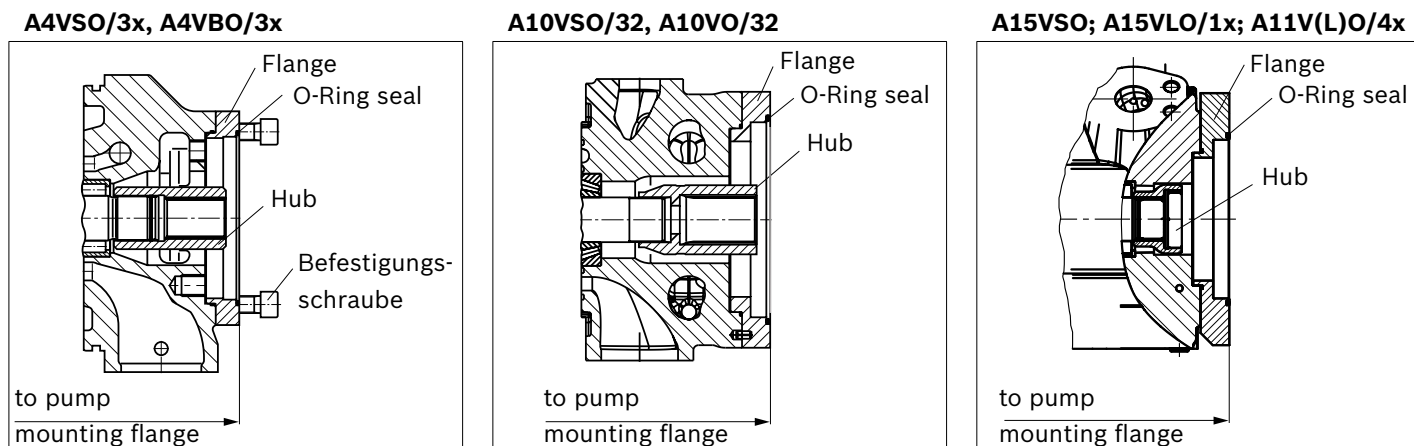
Informations and possible through drives you will find in the data sheets:

- ▶ 92705 variable pump A10VO
- ▶ 92714 variable pump A10VSO
- ▶ 92050 variable pump A4VSO
- ▶ 92122 variable pump A4VBO
- ▶ 92800 variable pump A15VSO/A15VLO
- 92801
- ▶ 92510 variable pump A11VO/A11VLO
- 92511

## Inhalt

Adapter kits	2
Material number for A10VSO series 32	2
Material number for A10VO series 32	4
Material number for A4VSO series 3x	5
Material number for A4VBO series 3x	9
Material number for A15VSO; A15VLO series 1x	10
Material number for A11V(L)O series 4x	15
Project planning notes	19
Sicherheitshinweise	20

## Adapter kits



### Assembly group

The through drive come as assembly group. The assembly group „**flange and hub**“ includes:

– Flange, hub, cylinder head screws and O-ring seal.

► Fixing screws for the 2. pump will be delivered only for universal through drives of the A4VSO.

## Material number for A10VSO series 32

Code	Available for pump	Length to pump mounting flange [mm]	Assembly group „Cover“ with Cover, cylinder screw
U00	A10VSO45	254	R902496168
	A10VSO71	289	R902496186
	A10VSO100	350	R902496173
	A10VSO140	367	
	A10VSO180	377	
ISO 3019-2	Available for pump	Length to pump mounting flange [mm]	Assembly group „Flange and hub“ with flange, hub, cylinder screw, O-Ring
UB2	A10VSO45	264	R902496439
	A10VSO71	299	R902496440
	A10VSO100	360	R902496441
	A10VSO140	377	R902496442
	A10VSO180	387	
UB3	A10VSO45	264	R902492531
	A10VSO71	299	R902512434
	A10VSO100	360	R902496445
	A10VSO140	377	R902496446
	A10VSO180	387	
UB4	A10VSO 45	264	R902496448
	A10VSO 71	299	R902496449
	A10VSO 100	360	R902496450
	A10VSO 140	377	R902496451
	A10VSO 180	387	
UE1	A10VSO 45	264	R902510125
	A10VSO 71	299	R902510126
	A10VSO 100	360	R902510127
	A10VSO 140	377	R902510129
	A10VSO 180	387	

<b>ISO 3019-2</b>	<b>Available for pump</b>	<b>Length to pump mounting flange [mm]</b>	<b>Assembly group „Flange and hub“ with flange, hub, cylinder screw, O-Ring</b>
UB8	A10VSO71	299	R902496458
	A10VSO100	360	R902496459
	A10VSO140	377	R902496460
	A10VSO180	387	R902496461
UB9	A10VSO100	360	R902496462
	A10VSO140	377	R902496463
	A10VSO180	387	R902496464
UB7	A10VSO140	377	R902496465
	A10VSO180	387	R902496466
<b>ISO 3019-1 (SAE J744)</b>	<b>Available for pump</b>	<b>Length to pump mounting flange [mm]</b>	<b>Assembly group „Flange and hub“ with flange, hub, cylinder screw, O-Ring</b>
U01	A10VSO45	264	R902496467
	A10VSO71	299	R902496468
	A10VSO100	360	R902496469
	A10VSO140	377	R902496470
	A10VSO180	387	R902496471
U52	A10VSO45	264	R902496472
	A10VSO71	299	R902496473
	A10VSO100	360	R902496474
	A10VSO140	377	R902496475
	A10VSO180	387	
U68	A10VSO45	264	R902496477
	A10VSO71	299	R902496478
	A10VSO100	360	R902496479
	A10VSO140	377	R902496480
	A10VSO180	387	R902496481
U04	A10VSO45	264	R902496482
	A10VSO71	299	R902496663
	A10VSO100	360	R902496664
	A10VSO140	377	R902496665
	A10VSO180	387	R902496666
UE2	A10VSO 45	264	R902510131
	A10VSO 71	299	R902510132
	A10VSO 100	360	R902510133
	A10VSO 140	377	R902510134
	A10VSO 180	387	
U24	A10VSO 100	360	R902510136
	A10VSO 140	377	R902510137
	A10VSO 180	387	R902510138
U15	A10VSO 71	299	R902510139
	A10VSO 100	360	R902510140
	A10VSO 140	377	R902510141
	A10VSO 180	387	R902510142
U96	A10VSO100	360	R902496667
	A10VSO140	377	R902496668
	A10VSO180	387	R902496669
U17	A10VSO140	377	R902496670
	A10VSO180	387	R902496671

4 **Universaldurchtrieb für A10VSO, A4VSO, A15VSO, A11V(L)O** | axial piston variable pump  
 Material number for A10VO series 32 (Mounting flange D and port plate 22 and 32)

**Material number for A10VO series 32**

(Mounting flange D and port plate 22 and 32)

<b>Code</b>	<b>Available for pump</b>	<b>Length to pump mounting flange [mm]</b>	<b>Assembly group „Cover“ with Cover, cylinder screw</b>
U00	A10VO45		R902496168
	A10VO71		R902496186
	A10VO100		R902496173
	A10VO140		
	A10VO180		
<b>ISO 3019-1 (SAE J744)</b>	<b>Available for pump</b>	<b>Length to pump mounting flange [mm]</b>	<b>Assembly group „Flange and hub“ with flange, hub, cylinder screw, O-Ring</b>
U01	A10VO100	360	R902496469
	A10VO140	377	R902496470
	A10VO180	387	R902496471
U52	A10VO100	360	R902496474
	A10VO140	377	R902496475
	A10VO180	387	
U68	A10VO100	360	R902496479
	A10VO140	377	R902496480
	A10VO180	387	R902496481
U04	A10VO100	360	R902496664
	A10VO140	377	R902496665
	A10VO180	387	R902496666
U07	A10VO 100	360	R902512301
	A10VO140	377	R902512302
	A10VO 180	387	
U24	A10VO 100	360	R902510136
	A10VO140	377	R902510137
	A10VO 180	387	R902510138
UE2	A10VO 100	360	R902510133
	A10VO140	377	R902510134
	A10VO 180	387	
U15	A10VO100	360	R902510140
	A10VO140	377	R902510141
	A10VO180	387	R902510142
U17	A10VO140	377	R902496670
	A10VO180	387	R902496671

**Material number for A4VSO series 3x**

<b>Code</b>	<b>Available for pump</b>	<b>Length to pump mounting flange [mm]</b>	<b>Assembly group „Cover“ with Cover, cylinder screw</b>
U99	A4VSO125	359	R902438778
	AA4VSO125	361	
	A4VSO180	383	
	AA4VSO180	385	
	R902444736	A4VSO250	443
		AA4VSO 250	445
		A4VSO355	472
		AA4VSO 355	474
<b>ISO 3019-2</b>	<b>Available for pump</b>	<b>Length to pump mounting flange [mm]</b>	<b>Assembly group „flange and hub“ with flange, hub, cylinder screw</b>
UB2	A4VSO125	369	R902446991
	A4VSO180	393	
	R902446993	A4VSO250	453
		A4VSO355	482
UB3	A4VSO125	369	R902446996
	A4VSO180	393	
	R902446998	A4VSO250	453
		A4VSO355	482
UB4	A4VSO125	369	R902447001
	A4VSO180	393	
	R902447003	A4VSO250	453
		A4VSO355	482
UB5	A4VSO125	369	R902447006
	A4VSO180	393	
	R902447007	A4VSO250	453
		A4VSO355	482
UB6	A4VSO125	369	R902447008
	A4VSO180	393	
	R902447009	A4VSO250	453
		A4VSO355	482
U31	A4VSO125	369	R902447010
	A4VSO180	393	
	R902447011	A4VSO250	453
		A4VSO355	482
UE1	A4VSO125	On request	On request
	A4VSO180	On request	
	A4VSO250	On request	
	A4VSO355	On request	
U33	A4VSO125	369	R902447012
	A4VSO180	393	
	R902447013	A4VSO250	453
		A4VSO355	482

6 **Universaldurchtrieb für A10VSO, A4VSO, A15VSO, A11V(L)O** | axial piston variable pump  
Material number for A4VSO series 3x

<b>ISO 3019-2</b>	<b>Available for pump</b>	<b>Length to pump mounting flange [mm]</b>	<b>Assembly group „Flange and hub“ with flange, hub, cylinder screw</b>
UB8	A4VSO125	369	R902447014
	A4VSO180	393	
	A4VSO250	453	R902447016
	A4VSO355	482	
U34	A4VSO125	369	R902447019
	A4VSO180	393	
	A4VSO250	453	R902447020
	A4VSO355	482	
UB9	A4VSO125	382	R902447021
	A4VSO180	406	
	A4VSO250	453	R902447022
	A4VSO355	482	
UB7	A4VSO180	406	R902447025
	A4VSO250	453	R902447026
	A4VSO355	482	
U35	A4VSO250	469	R902447028
	A4VSO355	498	
U77	A4VSO355	498	R902447029
<b>ISO 3019-1 (SAE J744)</b>			
(The lengths to the pump mounting face are valid for the SAE version. The metric pumps are 2 mm shorter)			
<b>Code</b>	<b>Available for pump</b>	<b>Length to mounting flange [mm]</b>	<b>Assembly group „Flange and hub“ with flange, hub, cylinder screw</b>
U01	A4VSO125	369	R902447030
	AA4VSO125	371	
	A4VSO180	393	
	AA4VSO180	395	
	A4VSO250	453	R902447032
	AA4VSO250	455	
	A4VSO355	482	
	AA4VSO355	484	
U52	A4VSO125	369	R902447035
	AA4VSO125	371	
	A4VSO180	393	
	AA4VSO180	395	
	A4VSO250	453	R902447037
	AA4VSO250	455	
	A4VSO355	482	
	AA4VSO355	484	
U68	A4VSO125	369	R902447040
	AA4VSO125	371	
	A4VSO180	393	
	AA4VSO180	395	
	A4VSO250	453	R902447042
	AA4VSO250	455	
	A4VSO355	482	
	AA4VSO355	484	

<b>ISO 3019-1 (SAE J744)</b>			
(The lengths to the pump mounting face are valid for the SAE version. The metric pumps are 2 mm shorter)			
<b>Code</b>	<b>Available for pump</b>	<b>Length to mounting flange [mm]</b>	<b>Assembly group „Flange and hub“ with flange, hub, cylinder screw</b>
U04	A4VSO125	369	R902447045
	AA4VSO125	371	
	A4VSO180	393	
	AA4VSO180	395	
	A4VSO250	453	R902447047
	AA4VSO250	455	
	A4VSO355	482	
	AA4VSO355	484	
U06	A4VSO125	On request	On request
	AA4VSO125	On request	
	A4VSO180	On request	
	AA4VSO180	On request	
	A4VSO250	On request	On request
	AA4VSO250	On request	
	A4VSO355	On request	
	AA4VSO355	On request	
U07	A4VSO125	369	R902447050
	AA4VSO125	371	
	A4VSO180	393	
	AA4VSO180	395	
	A4VSO250	453	R902447051
	AA4VSO250	455	
	A4VSO355	482	
	AA4VSO355	484	
UE2	A4VSO125	369	R902512517
	AA4VSO125	371	
	A4VSO180	393	
	AA4VSO180	395	
	A4VSO250	On request	On request
	AA4VSO250	On request	
	A4VSO355	On request	
	AA4VSO355	On request	
U24	A4VSO125	369	R902447052
	AA4VSO125	371	
	A4VSO180	393	
	AA4VSO180	395	
	A4VSO250	453	R902447053
	AA4VSO250	455	
	A4VSO355	482	
	AA4VSO355	484	

8 **Universaldurchtrieb für A10VSO, A4VSO, A15VSO, A11V(L)O** | axial piston variable pump  
 Material number for A4VSO series 3x

<b>ISO 3019-1</b> (SAE J744)				
(The lengths to the pump mounting face are valid for the SAE version. The metric pumps are 2 mm shorter)				
<b>Code</b>	<b>Available for pump</b>	<b>Length to mounting flange [mm]</b>	<b>Assembly group „Flange and hub“ with flange, hub, cylinder screw</b>	
U15	A4VSO125	369	R902447054	
	AA4VSO125	371		
	A4VSO180	393		
	AA4VSO180	395		
	U15	A4VSO250	453	R902447055
		AA4VSO250	455	
		A4VSO355	482	
		AA4VSO355	484	
U16	A4VSO125	369	R902447056	
	AA4VSO125	371		
	A4VSO180	393		
	AA4VSO180	395		
	U16	A4VSO250	453	R902447057
		AA4VSO250	455	
		A4VSO355	482	
		AA4VSO355	484	
U96	A4VSO125	369	R902447058	
	AA4VSO125	371		
	A4VSO180	393		
	AA4VSO180	395		
	U96	A4VSO250	453	R902447059
		AA4VSO250	455	
		A4VSO355	482	
		AA4VSO355	484	
U17	A4VSO125	382	R902447062	
	AA4VSO125	384		
	A4VSO180	406		
	AA4VSO180	408		
	U17	A4VSO250	453	R902447063
		AA4VSO250	455	
		A4VSO355	482	
		AA4VSO355	484	
U18	A4VSO250	479	R902447067	
	AA4VSO250	481		
	A4VSO355	508		
	AA4VSO355	510		
U72	A4VSO250	479	R902453019	
	AA4VSO250	481		
	A4VSO355	508		
	AA4VSO355	510		



### Material number for A4VBO series 3x

<b>Code</b>	<b>Available for pump</b>	<b>Length to pump mounting flange [mm]</b>	<b>Assembly group „Cover“</b> with Cover, cylinder screw
U99	A4VBO125	367	R902438778
	A4VBO250	475	R902444736
<b>ISO 3019-2</b>	<b>Available for pump</b>	<b>Length to pump mounting flange [mm]</b>	<b>Assembly group „Flange and hub“</b> with flange, hub, cylinder screw
U33	A4VBO125	377	R902447012
	A4VBO250	485	R902447013
U34	A4VBO125	377	R902447019
	A4VBO250	485	R902447020
U35	A4VBO250	501	R902447028
<b>ISO 3019-1 (SAE J744)</b>			
<b>Code</b>	<b>Available for pump</b>	<b>Length to mounting flange [mm]</b>	<b>Assembly group „Flange and hub“</b> with flange, hub, cylinder screw
U01	A4VBO125	377	R902447030
	A4VBO250	485	R902447032
U68	A4VBO125	377	R902447040
	A4VBO250	485	R902447042
U04	A4VBO125	377	R902447045
	A4VBO250	485	R902447047
U24	A4VBO125	377	R902447052
	A4VBO250	485	R902447053

### Material number for A15VSO; A15VLO series 1x

<b>Code</b>	<b>Available for pump</b>	<b>Length to pump mounting flange [mm]</b>	<b>Assembly group „Cover“</b> with Cover, O-ring, cylinder screw	
U000	A15VSO 110	285	R902473330	
	A15VSO 145	310		
	A15VSO 175	328		
	A15VSO 210	345		
	A15VSO 280	387		
	A15VLO 145	375	R902496066	
	A15VLO 175	395	R902514110	
	A15VLO 210	412		
	A15VLO 280	443		
<b>ISO 3019-2</b>	<b>Available for pump</b>	<b>Length to pump mounting flange [mm]</b>	<b>Assembly group „flange and hub“</b> with flange, hub, cylinder screw, O-ring <b>metric</b> <b>ANSI</b>	
K3S3	A15VSO 110	301	R902534268	On request
	A15VSO 145	326		
	A15VLO 145	375		
	A15VSO 175	341	R902550628	On request
	A15VLO 175	390		
	A15VSO 210	358		
	A15VLO 210	407		
	A15VSO 280	On request	On request	On request
	A15VLO 280	On request		
K5S3	A15VSO 110	301	R902535194	On request
	A15VSO 145	326		
	A15VLO 145	375		
	A15VSO 175	341	R902497161	On request
	A15VLO 175	390		
	A15VSO 210	358		
	A15VLO 210	407		
	A15VSO 280	400	R902552037	On request
	A15VLO 280	438		
L5S4	A15VSO 110	312	R902545964	On request
	A15VSO 145	337		
	A15VLO 145	386		
	A15VSO 175	355	R902556790	On request
	A15VLO 175	404		
	A15VSO 210	372		
	A15VLO 210	421		
	A15VSO 280	414	R902548500	On request
	A15VLO 280	452		

ISO 3019-2	Available for pump	Length to pump mounting flange [mm]	Assembly group „flange and hub“	
			with flange, hub, cylinder screw, O-ring metric	ANSI
M4S5	A15VSO 110	312	R902542344	On request
	A15VSO 145	337		
	A15VLO 145	386		
	A15VSO 175	355	R902562555	On request
	A15VLO 175	404		
	A15VSO 210	372		
	A15VLO 210	421		
	A15VSO 280	On request	On request	On request
	A15VLO 280	On request		
M4Z7	A15VSO 110	On request	On request	On request
	A15VSO 145	On request		
	A15VLO 145	On request		
	A15VSO 175	On request	On request	On request
	A15VLO 175	On request		
	A15VSO 210	On request		
	A15VLO 210	On request		
	A15VSO 280	On request	On request	On request
	A15VLO 280	On request		
P4S7	A15VSO 110	323	R902559803	On request
	A15VSO 145	348		
	A15VLO 145	397		
	A15VSO 175	355	R902547363	On request
	A15VLO 175	404		
	A15VSO 210	372		
	A15VLO 210	421		
	A15VSO 280	414	R902512007	On request
	A15VLO 280	452		
N4Z9	A15VSO 110	On request	On request	On request
	A15VSO 145	On request		
	A15VLO 145	On request		
	A15VSO 175	On request	On request	On request
	A15VLO 175	On request		
	A15VSO 210	On request		
	A15VLO 210	On request		
	A15VSO 280	414	R902544243	On request
	A15VLO 280	452		
R4S9	A15VSO 175	360	R902488851	On request
	A15VLO 175	409		
	A15VSO 210	377		
	A15VLO 210	426		
	A15VSO 280	419	R902514299	On request
	A15VLO 280	457		

<b>ISO 3019-2</b>	<b>Available for pump</b>	<b>Length to pump mounting flange [mm]</b>	<b>Assembly group „flange and hub“</b>	
			<b>metric</b>	<b>ANSI</b>
R4T1	A15VSO 175	On request	On request	On request
	A15VLO 175	On request		
	A15VSO 210	On request		
	A15VLO 210	On request		
	A15VSO 280	432	R902545468	On request
	A15VLO 280	470		
<b>ISO 3019-1</b> (SAEJ744)	<b>Available for pump</b>	<b>Length to pump mounting flange [mm]</b>	<b>Assembly group „flange and hub“</b>	
			<b>metric</b>	<b>ANSI</b>
A1S2 A3S2	A15VSO 110	301	R902542364	R902543056
	A15VSO 145	326		
	A15VLO 145	375		
	A15VSO 175	341	R902535272	R902542470
	A15VLO 175	390		
	A15VSO 210	358		
	A15VLO 210	407		
	A15VSO 280	400	R902541607	R902561450
	A15VLO 280	438		
B1S4 B3S4	A15VSO 110	312	R902516812	R902541079
	A15VSO 145	337		
	A15VLO 145	386		
	A15VSO 175	355	R902510920	R902553760
	A15VLO 175	404		
	A15VSO 210	372		
	A15VLO 210	421		
	A15VSO 280	414	R902512054	R902542488
	A15VLO 280	452		
B1S5 B3S5	A15VSO 110	312	R902512157	R902548885
	A15VSO 145	337		
	A15VLO 145	386		
	A15VSO 175	355	R902517320	R902545124
	A15VLO 175	404		
	A15VSO 210	372		
	A15VLO 210	421		
	A15VSO 280	414	R902517267	On request
	A15VLO 280	452		
B5S4	A15VSO 110	312	R902556281	R902543104
	A15VSO 145	337		
	A15VLO 145	386		
	A15VSO 175	355	R902549208	On request
	A15VLO 175	404		
	A15VSO 210	372		
	A15VLO 210	421		
	A15VSO 280	414	R902541685	On request
	A15VLO 280	452		

ISO 3019-1 (SAEJ744)	Available for pump	Length to pump mounting flange [mm]	Assembly group „flange and hub“	
			with flange, hub, cylinder screw, O-ring metric	ANSI
B5S5	A15VSO 110	On request	On request	On request
	A15VSO 145	On request		
	A15VLO 145	On request		
	A15VSO 175	355	R902536089	On request
	A15VLO 175	404		
	A15VSO 210	372		
	A15VLO 210	421		
	A15VSO 280	On request	On request	On request
	A15VLO 280	On request		
C1S7 C3S7	A15VSO 110	323	R902511033	R902543544
	A15VSO 145	348		
	A15VLO 145	397		
	A15VSO 175	355	R902514325	R902553159
	A15VLO 175	404		
	A15VSO 210	372		
	A15VLO 210	421		
	A15VSO 280	414	R902515215	R902551581
	A15VLO 280	452		
C1S9 C3S9	A15VSO 110	323	R902545065	On request
	A15VSO 145	348		
	A15VLO 145	397		
	A15VSO 175	360	R902531105	On request
	A15VLO 175	409		
	A15VSO 210	377		
	A15VLO 210	426		
	A15VSO 280	414	R902514098	R902539947
	A15VLO 280	452		
D4T1	A15VSO 110	336	R902516670	R902543106
	A15VSO 145	361		
	A15VLO 145	410		
	A15VSO 175	373	R902495015	R902546266
	A15VLO 175	422		
	A15VSO 210	390		
	A15VLO 210	439		
	A15VSO 280	432	R902497428	R902539862
	A15VLO 280	470		
D4A1	A15VSO 110	336	R902512707	On request
	A15VSO 145	350		
	A15VLO 145	399		
	A15VSO 175	364	R902533134	On request
	A15VLO 175	413		
	A15VSO 210	381		
	A15VLO 210	430		
	A15VSO 280	414	R902515220	On request
	A15VLO 280	452		

14 **Universaldurchtrieb für A10VSO, A4VSO, A15VSO, A11V(L)O** | axial piston variable pump  
 Material number for A15VSO; A15VLO series 1x

<b>ISO 3019-1</b> (SAEJ744)	<b>Available for pump</b>	<b>Length to pump mounting flange [mm]</b>	<b>Assembly group „flange and hub“</b>	
			<b>metric</b>	<b>ANSI</b>
D4A2	A15VSO 145	350	R902542404	On request
	A15VLO 145	399		
	A15VSO 175	364	R902542402	On request
	A15VLO 175	413		
	A15VSO 210	381		
	A15VLO 210	430		
	A15VSO 280	423	R902519158	On request
	A15VLO 280	461		
E4A2	A15VSO 175	364	R902495006	On request
	A15VLO 175	413		
	A15VSO 210	381		
	A15VLO 210	430	R902495955	On request
	A15VSO 280	423		
	A15VLO 280	461		
E4A4	A15VSO 280	423	R902495953	On request
	A15VLO 280	461		
E4T1	A15VSO 175	373	R902536130	On request
	A15VLO 175	422		
	A15VSO 210	390		
	A15VLO 210	439	R902555996	R902542451
	A15VSO 280	432		
	A15VLO 280	470		

### Material number for A11V(L)O series 4x

<b>Code</b>	<b>Available for pump</b>	<b>Length to pump mounting flange [mm]</b>	<b>Assemlly group „cover“</b> with cover, O-ring, cylinder screw	
U000	A11VO 110	285	R902473330	
	A11VO 145	310		
	A11VO 175	328		
	A11VO 210	345		
	A11VO 280	387		
	A11VLO 145	375	R902496066	
	A11VLO 175	395	R902514110	
	A11VLO 210	412		
	A11VLO 280	443		
<b>ISO 3019-1</b> (SAEJ744)	<b>Available for pump</b>	<b>Length to pump mounting flange [mm]</b>	<b>Assemlly group „flange and hub“</b> with flange, hub, cylinder screw, O-ring	
			<b>metric</b>	<b>ANSI</b>
A1S2 A3S2	A11VO 110	301	R902542364	R902543056
	A11VO 145	326		
A3S3	A11VLO 145	375		
	A11VO 175	341	R902535272	R902542470
	A11VLO 175	390		
	A11VO 210	358		
	A11VLO 210	407		
	A11VO 280	400	R902541607	R902561450
	A11VLO 280	438		
	A11VO 110	301	R902547361	R902546963
B1S4 B3S4	A11VO 145	326		
	A11VLO 145	375		
	A11VO 175	341	On request	R902542454
	A11VLO 175	390		
	A11VO 210	358		
	A11VLO 210	407		
	A11VO 280	400	On request	R902543060
	A11VLO 280	438		
B1S4 B3S4	A11VO 110	312	R902516812	R902541079
	A11VO 145	337		
	A11VLO 145	386		
	A11VO 175	355	R902510920	R902553760
	A11VLO 175	404		
	A11VO 210	372		
	A11VLO 210	421		
	A11VO 280	414	R902512054	R902542488
	A11VLO 280	452		

16 **Universaldurchtrieb für A10VSO, A4VSO, A15VSO, A11V(L)O** | axial piston variable pump  
 Material number for A11V(L)O series 4x

<b>ISO 3019-1</b> (SAEJ744)	<b>Available for pump</b>	<b>Length to pump mounting flange [mm]</b>	<b>Assembly group „flange and hub“</b> with flange, hub, cylinder screw, O-ring	
			<b>metric</b>	<b>ANSI</b>
B3S5	A11VO 110	312	R902512157	R902548885
	A11VO 145	337		
	A11VLO 145	386		
	A11VO 175	355	R902517320	R902545124
	A11VLO 175	404		
	A11VO 210	372		
	A11VLO 210	421		
	A11VO 280	414	R902517267	On request
	A11VLO 280	452		
B5S4	A11VO 110	312	R902556281	R902543104
	A11VO 145	337		
	A11VLO 145	386		
	A11VO 175	355	R902549208	On request
	A11VLO 175	404		
	A11VO 210	372		
	A11VLO 210	421		
	A11VO 280	414	R902541685	On request
	A11VLO 280	452		
B5S5	A11VO 110	On request	On request	On request
	A11VO 145	On request		
	A11VLO 145	On request		
	A11VO 175	355	R902536089	On request
	A11VLO 175	404		
	A11VO 210	372		
	A11VLO 210	421		
	A11VO 280	On request	On request	On request
	A11VLO 280	On request		
C1S7 C3S7	A11VO 110	323	R902511033	R902543544
	A11VO 145	348		
	A11VLO 145	397		
	A11VO 175	355	R902514325	R902553159
	A11VLO 175	404		
	A11VO 210	372		
	A11VLO 210	421		
	A11VO 280	414	R902515215	R902551581
	A11VLO 280	452		
C1S9 C3S9	A11VO 110	323	R902545065	On request
	A11VO 145	348		
	A11VLO 145	397		
	A11VO 175	360	R902531105	On request
	A11VLO 175	409		
	A11VO 210	377		
	A11VLO 210	426		
	A11VO 280	414	R902514098	R902539947
	A11VLO 280	452		



ISO 3019-1 (SAEJ744)	Available for pump	Length to pump mounting flange [mm]	Assembly group „flange and hub“	
			with flange, hub, cylinder screw, O-ring metric	ANSI
C5S7	A11VO 110	On request	On request	On request
	A11VO 145	On request		
	A11VLO 145	On request		
	A11VO 175	355	R902497179	On request
	A11VLO 175	404		
	A11VO 210	372		
	A11VLO 210	421		
	A11VO 280	414	R902550037	R902542469
	A11VLO 280	452		
C4S7	A11VO 110	323	R902542207	R902543105
	A11VO 145	348		
	A11VLO 145	397		
	A11VO 175	355	R902497177	On request
	A11VLO 175	404		
	A11VO 210	372		
	A11VLO 210	421		
	A11VO 280	414	R902543496	On request
	A11VLO 280	452		
C4V8	A11VO 110	323	R902545504	On request
	A11VO 145	348		
	A11VLO 145	397		
	A11VO 175	On request	On request	On request
	A11VLO 175	On request		
	A11VO 210	On request		
	A11VLO 210	On request		
	A11VO 280	On request	On request	On request
	A11VLO 280	On request		
D4T1	A11VO 110	336	R902516670	R902543106
	A11VO 145	361		
	A11VLO 145	410		
	A11VO 175	373	R902495015	R902546266
	A11VLO 175	422		
	A11VO 210	390		
	A11VLO 210	439		
	A11VO 280	432	R902497428	R902539862
	A11VLO 280	470		
D4S7	A11VO 110	On request	On request	R902560514
	A11VO 145	On request		
	A11VLO 145	399		
	A11VO 175	On request	On request	R902556365
	A11VLO 175	On request		
	A11VO 210	On request		
	A11VLO 210	421		
	A11VO 280	On request	On request	On request
	A11VLO 280	On request		

18 **Universaldurchtrieb für A10VSO, A4VSO, A15VSO, A11V(L)O** | axial piston variable pump  
 Material number for A11V(L)O series 4x

<b>ISO 3019-1</b> (SAEJ744)	<b>Available for pump</b>	<b>Length to pump mounting flange [mm]</b>	<b>Assembly group „flange and hub“</b> with flange, hub, cylinder screw, O-ring	
			<b>metric</b>	<b>ANSI</b>
D4V8	A11VO 110	On request	On request	On request
	A11VO 145	On request		
	A11VLO 145	On request		
	A11VO 175	On request	On request	On request
	A11VLO 175	On request		
	A11VO 210	On request		
	A11VLO 210	On request		
	A11VO 280	On request	On request	On request
	A11VLO 280	On request		
E4T1	A11VO 175	373	R902536130	On request
	A11VLO 175	422		
	A11VO 210	390		
	A11VLO 210	439		
	A11VO 280	432	R902555996	R902542451
	A11VLO 280	470		
E4T2	A11VO 175	386	R902543051	R902542482
	A11VLO 175	435		
	A11VO 210	403		
	A11VLO 210	452		
	A11VO 280	445	R902545123	R902542449
	A11VLO 280	483		
E4T3	A11VO 280	445	R902545886	R902535350
	A11VLO 280	483		
E4A4	A11VO 280	423	R902495953	On request
	A11VLO 280	461		

## Project planning notes

- ▶ The variable axial piston pumps A10VO, A10VSO, A4VSO, A11VO,/A11V(L)O and A15VSO/A15VLO is designed to be used in open circuits.
- ▶ The project planning, installation and commissioning of the axial piston unit requires the involvement of qualified skilled personnel.
- ▶ Before using the axial piston unit, please read the corresponding instruction manual completely and thoroughly. If necessary, this can be requested from Bosch Rexroth.
- ▶ Before finalizing your design, please request a binding installation drawing.
- ▶ Each through drive is plugged with a **non-pressure-resistant** cover. Before commissioning the units, they must therefore be equipped with a pressure-resistant cover. Through drives can also be ordered with pressure-resistant covers. Please specify in plain text.
- ▶ The specified data and notes contained herein must be observed.  
Further information to the products see data sheets on page 1.
- ▶ Depending on the operating conditions of the axial piston unit (working pressure, fluid temperature), the characteristic curve may shift.
- ▶ The characteristic curve may also shift due to the dither frequency or control electronics.
- ▶ Preservation: Our axial piston units are supplied as standard with preservative protection for a maximum of 12 months. If longer preservative protection is required (maximum 24 months), please specify this in plain text when placing your order. The preservation periods apply under optimal storage conditions, details of which can be found in the data sheet 90312 or in the instruction manual.
- ▶ Not all versions of the product are approved for use in a safety function according to ISO 13849. Please consult the responsible contact person at Bosch Rexroth if you require reliability parameters (e.g. MTTFD) for functional safety.
- ▶ Depending on the type of control used, electromagnetic effects can be produced when using solenoids. Applying the recommended direct voltage signal (DC) to solenoids does not create electromagnetic interference (EMI) nor is the solenoid affected by EMI. Electromagnetic interference (EMI) potential exists when operating and controlling a solenoid with a modulated direct voltage signal (e.g. PWM signal). Appropriate testing and measures should be taken by the machine manufacturer to ensure other components or operators (e.g. with pacemaker) are not affected by this potential.
- ▶ Pressure cut-off / Pressure controllers are not safeguards against pressure overload. Be sure to add a pressure relief valve to the hydraulic system.
- ▶ For drives that are operated for a long period with constant rotational speed, the natural frequency of the hydraulic system can be stimulated by the stimulator frequency of the pump (rotational speed frequency  $\times 9$ ). This can be prevented with suitably designed hydraulic lines.
- ▶ Please note the details regarding the tightening torques of port threads and other threaded joints in the instruction manual.
- ▶ Arbeitsanschlüsse:
  - Die Anschlüsse und Befestigungsgewinde sind für den angegebenen Höchstdruck ausgelegt. Der Maschinen- bzw. Anlagenhersteller muss dafür sorgen, dass die Verbindungselemente und Leitungen den vorgesehenen Einsatzbedingungen (Druck, Volumenstrom, Druckflüssigkeit, Temperatur) mit den notwendigen Sicherheitsfaktoren entsprechen.
  - Die Arbeits- und Funktionsanschlüsse sind nur für den Anbau von hydraulischen Leitungen vorgesehen.

## Sicherheitshinweise

- ▶ Während und kurz nach dem Betrieb besteht an der Axialkolbeneinheit und besonders an den Magneten Verbrennungsgefahr. Geeignete Sicherheitsmaßnahmen vorsehen (z. B. Schutzkleidung tragen).
- ▶ Bewegliche Teile in Steuer- und Regeleinrichtungen (z. B. Ventilkolben) können unter bestimmten Umständen durch Verschmutzungen (z. B. unreine Druckflüssigkeit, Abrieb oder Restschmutz aus Bauteilen) in nicht definierter Stellung blockieren. Dadurch folgt der Druckflüssigkeitsstrom bzw. der Momentenaufbau der Axialkolbeneinheit nicht mehr den Vorgaben des Bedieners. Selbst der Einsatz von verschiedenen Filterelementen (externe oder interne Zulauffilterung) führt nicht zum Fehlerausschluss, sondern lediglich zur Risikominimierung. Der Maschinen-/Anlagenhersteller muss prüfen, ob für die jeweilige Anwendung Abhilfemaßnahmen an der Maschine notwendig sind, um den angetriebenen Verbraucher in eine sichere Lage zu bringen (z. B. sicherer Stopp) und ggf. deren sachgerechte Umsetzung sicherstellen.

### **Bosch Rexroth AG**

An den Kelterwiesen 14  
72160 Horb a.N., Germany  
Tel. +49 7451 92-0  
info.ma@boschrexroth.de  
www.boschrexroth.com

© Bosch Rexroth AG 2018. Alle Rechte vorbehalten, auch bzgl. jeder Verfügung, Verwertung, Reproduktion, Bearbeitung, Weitergabe sowie für den Fall von Schutzrechtsanmeldungen. Die angegebenen Daten dienen allein der Produktbeschreibung. Eine Aussage über eine bestimmte Beschaffenheit oder eine Eignung für einen bestimmten Einsatzzweck kann aus unseren Angaben nicht abgeleitet werden. Die Angaben entbinden den Verwender nicht von eigenen Beurteilungen und Prüfungen. Es ist zu beachten, dass unsere Produkte einem natürlichen Verschleiß- und Alterungsprozess unterliegen.